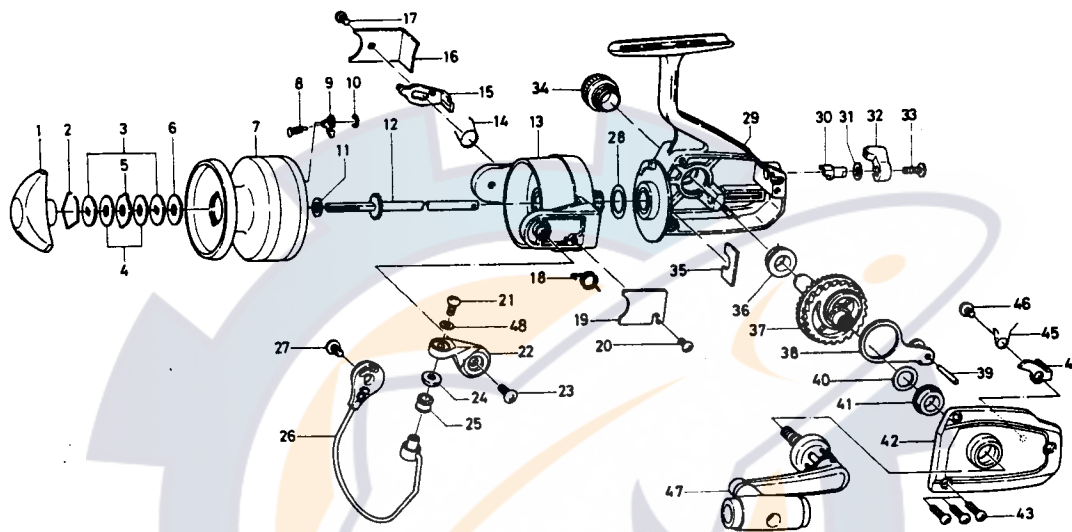


**SPINNING REEL A-130X**



Key No.	Parts No.	Parts Name
1	6-740-2702	Drag knob
2	6-170-4001	Drag washer retainer
3	6-373-2502	Drag D washer
4	6-374-2901	Disc washer
5	6-375-5301	Drag A washer
6	6-370-6901	Drag washer A
7	6-734-1303	Spool
8	6-145-2101	Spool click claw spring
9	6-807-5301	Spool click claw
10	6-320-5901	Spool click claw retainer
11	6-374-9002	Spool washer
12	6-B19-0301	Main shaft
13	6-B19-0001	Rotor
14	6-B18-4701	Bail kick lever spring
15	6-B18-4801	Bail kick lever
16	6-B18-4901	Bail kick lever cover
17	6-352-0402	Bail kick lever cover screw
18	6-B18-4401	Bail spring
19	6-B18-4601	Bail spring cover
20	6-352-0402	Bail spring cover screw
21	6-353-8202	Bail screw
22	6-B18-4501	Arm lever
23	6-353-8202	Arm lever screw
24	6-501-1601	Roller collar

Sold as one unit  
Spool assembly  
6-733-2706

Key No.	Parts No.	Parts Name
25	6-250-4221	Line roller
26	6-B18-5002	Bail
27	6-353-8202	Bail holder screw
28	6-372-8600	Rotor washer
29	6-B18-9801	Body
30	6-461-7701	Anti-reverse cam
31	6-150-1751	Anti-reverse lever washer
32	6-B18-7401	Anti-reverse lever
33	6-351-8302	Anti-reverse lever screw
34	6-B22-4501	Handle screw cap
35	6-632-6601	Pinion retainer
36	6-B12-9001	Bearing metal
37	6-B19-0601	Drive gear
38	6-B19-0501	Oscillating slider
39	6-121-1211	Oscillating slider pin
40	6-373-0100	Drive gear washer
41	6-B12-9001	Bearing metal
42	6-B18-8902	Body cover
43	6-351-5904	Body cover screw
44	6-B18-9201	Anti-reverse claw
45	6-144-8211	Anti-reverse claw spring
46	6-351-7701	Anti-reverse claw screw
47	6-B18-9302	Handle
48	6-375-1001	Bail washer